

4

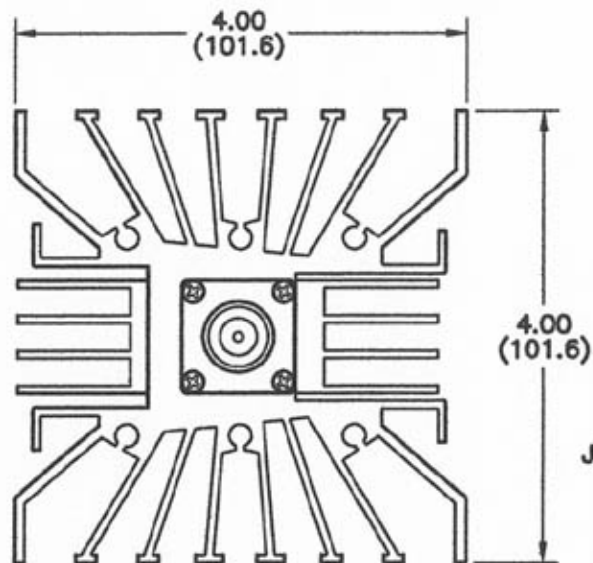
3

2

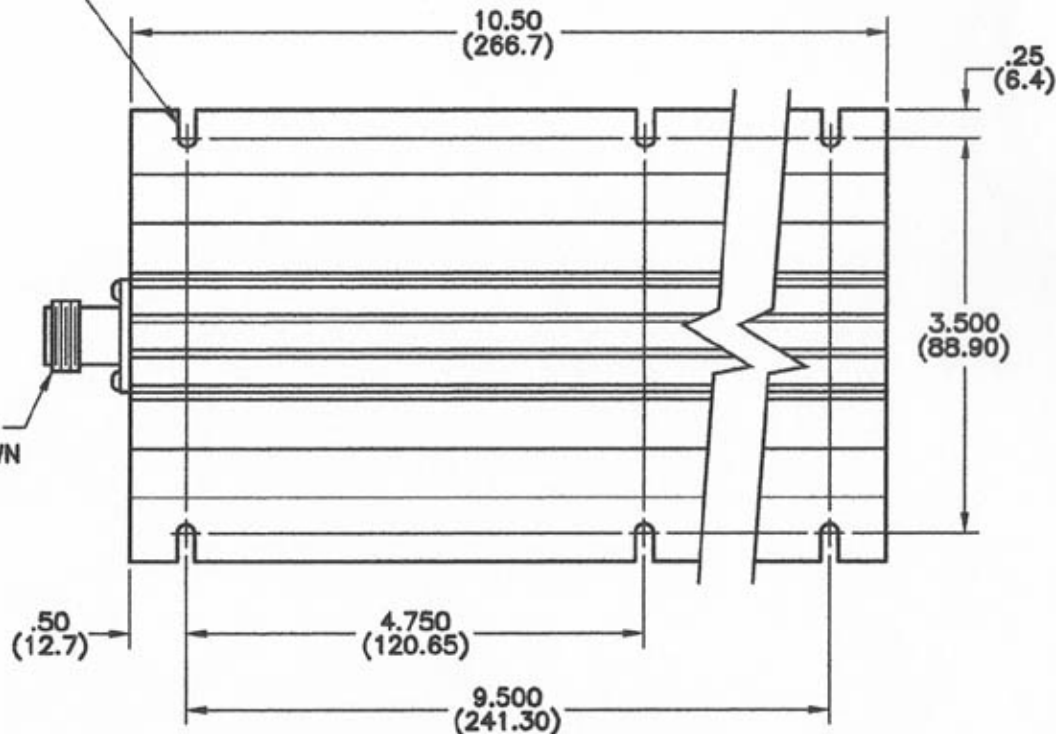
1

REVISIONS				
REV	ZONE	DESCRIPTION	DATE	BY ECO

.156(3.96) WIDE SLOT
6 PLACES, TOP & BOTTOM



TYPE N
JACK SHOWN



SPECIFICATIONS

FREQUENCY RANGE - DC TO 3.0 GHz

IMPEDANCE - 50 OHMS

VSWR (1.0 GHz) - 1.15:1

(2.4 GHz) - 1.20:1

(3.0 GHz) - 1.28:1

INPUT POWER (AVG.) - 300 WATTS

(PEAK) - 2000 WATTS

OPERATING TEMPERATURE - -55°C TO +125°C

CONNECTOR TYPES - TYPE N, TNC, 7/16 DIN, PLUG OR JACK

WEIGHT - ~ 6.5 lbs

DIMENSIONS: INCHES
(MILLIMETERS)

TOLERANCES

DEC.XX ± .05	FRAC ±
.000 ± .010	ANG ±

MATERIAL

FINISH

CHK

APPD

APPD

APPD

APPD

APPD

THE INFORMATION CONTAINED IN THIS DOCUMENT IS THE PROPERTY OF MICROWAVE DEVICES, INC. AND IS PROPRIETARY. IT IS NOT TO BE COPIED OR USED FOR ANY PURPOSE OTHER THAN AS INSTRUCTED, IN WRITING, BY MICROWAVE DEVICES, INC.

SIGNATURES

DR G.V.Cothren

DATE 9-5-08

CHK

APPD

APPD

MICROWAVE DEVICES
(If and wherever designated)

MODEL 6300
TERMINATION, 300 WATT

CAGE SIZE DRAWING NO.
60674 B 900774

DRAWING SCALE 1:1 SHEET 1 OF 1

CONTACT: MICROWAVE DEVICES - 1150 N. GRAHAM RD.
FRANKLIN, IN 48131 (317) 738-8833

DIMENSIONS ARE IN INCHES UNLESS OTHERWISE SPECIFIED.

4

3

2

1